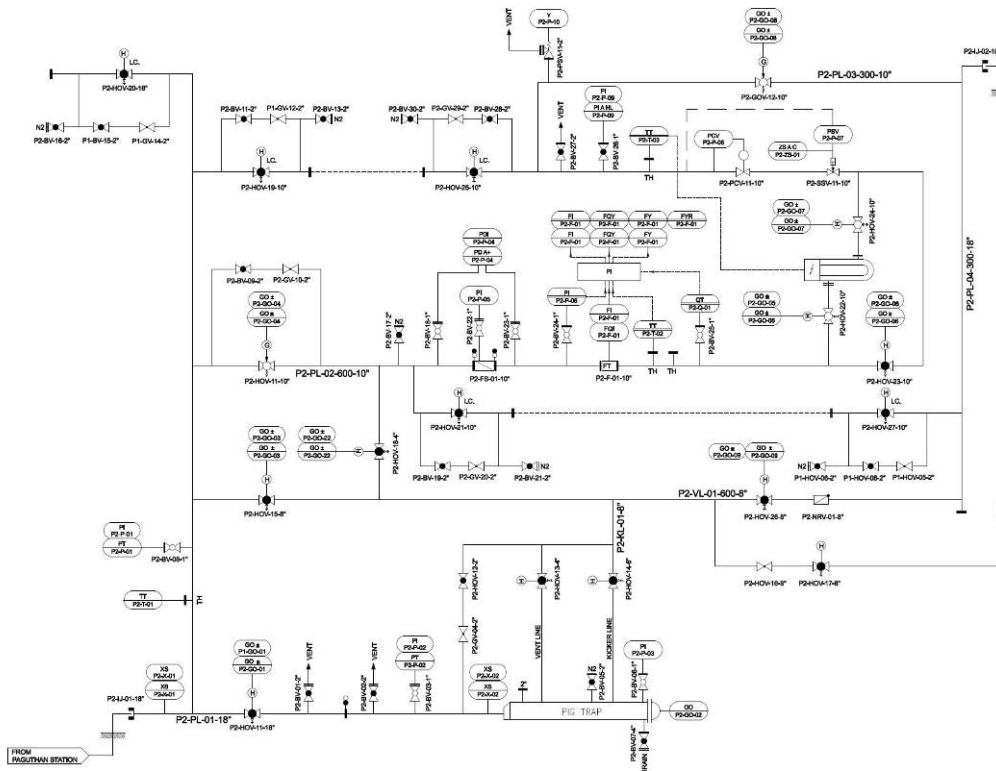


project name Paguthan NTPC Jhanore Natural Gas Pipeline
owner Gujarat State Petronet Ltd. (India)
prime consultant Dorsch Consult, Munich (Germany)
location Gujarat Province (India)
project duration begin
 end

In order to increase power generation capacity of NTPC Jhanore power station, Paguthan NPTC Jhanore pipeline, pressure class 10 MPa (1,450 PSI) has been planned.

Components have been one pipe scraper launching and receiving, royalty metering and valve stations



p&id of pipe scraper launcher and receiver station

responsibilities

Direction of detail design package in Germany:

- mechanical works, rotating equipment: gas turbine, gas compressor,
- plant piping

energy + power
 featured projects

